

DP-10 Series / DP-15 Series

Maximum Fluid Discharge of 20L/min Port Size 3/8 Maximum Fluid Discharge of 50L/min Port Size 1/2



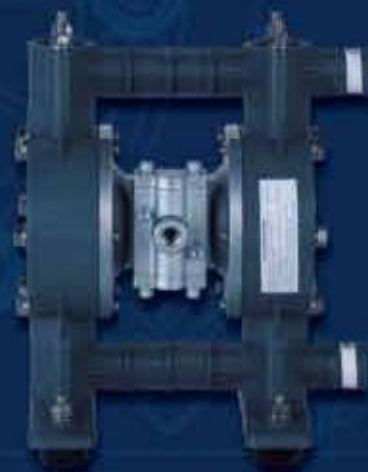
DP-10 Aluminum
Dimensions: 186mm W x 241mm H
Net Wt.: 3.5 kg
Shipping Wt.: 6.0 kg

DP-10 Stainless Steel
Dimensions: 186mm W x 241mm H
Net Wt.: 5.2 kg
Shipping Wt.: 6.0 kg

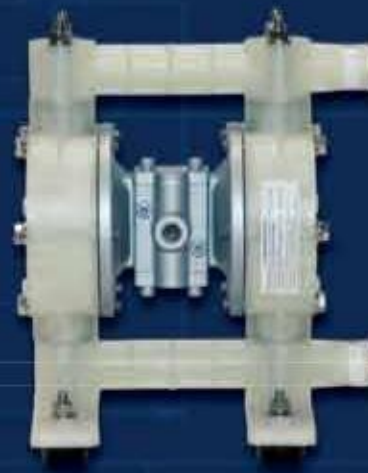
**DP-10
Polypropylene**
Dimensions:
195mm W x 196mm H
Net Wt.: 3.0 kg
Shipping Wt.: 3.3 kg



**DP-15
Groundable Acetal**
Dimensions:
246mm W x 297mm H
Net Wt.: 4.0 kg
Shipping Wt.: 5.4 kg



**DP-15
Polypropylene**
Dimensions:
246mm W x 297mm H
Net Wt.: 4.0 kg
Shipping Wt.: 5.4 kg



AutoCAD® drawings are available
at yamadacorp.co.jp/global

DP-10/15 Series Specifications

DP-10 Port Dimensions

Intake & discharge connection:

Polypropylene (PPG)	Rc3/8
Aluminum (ADC12)	Rc3/8
Stainless Steel (SCS14)	Rc3/8

DP-15 Port Dimensions

Intake & discharge connection:

Polypropylene (PPG)	Rc3/8
Groundable Acetal (POM)	Rc3/8

Air Inlet /Exhaust

Air inlet (incl. ball valve):	Rc1/4
Air exhaust (incl. silencer):	Rc3/8

Maximum Liquid Temperature*

Diaphragm Material	Temperature
Neoprene (CR)	70°C
Buna N (NBR)	70°C
Hytre® (TPEE)	80°C
Santoprene® (TPO)	100°C
Teflon® (PTFE)	100°C

*The maximum liquid temperature for metal and Kynar®-fitted pumps is determined by the elastomer (diaphragm material). Polypropylene and Groundable Acetal pumps have a maximum liquid temperature of 60°C regardless of diaphragm material.

Air Supply Pressure (All Models)

0.2– 0.7MPa

Discharge Volume Per Cycle

DP-10: 50mL

DP-15: 55mL

Maximum Cycles Per Minute

All diaphragms: 300

Maximum Size Solid

1/32" (1 mm)

Maximum Dry Suction Lift

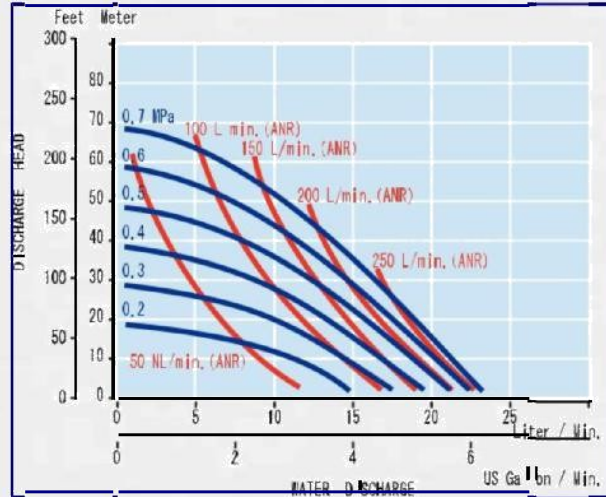
All diaphragms: 3m

Aluminum Air Motor–Standard

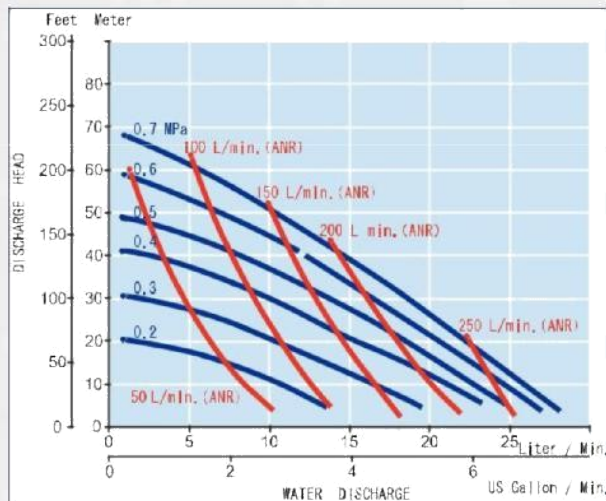
Optional: Epoxy-coated, Teflon®-coated, or Electroless Nickel Plate

Optional Split Manifold– contact Yamada

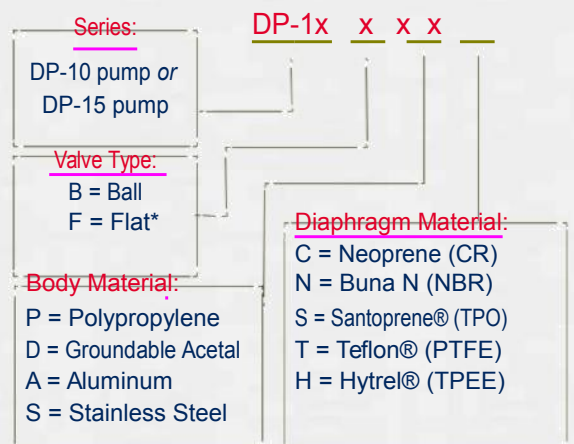
DP-10 Series Performance Curve



DP-15 Series Performance Curve



Model Number Nomenclature



* Flat valves available for DP-15 pumps only.